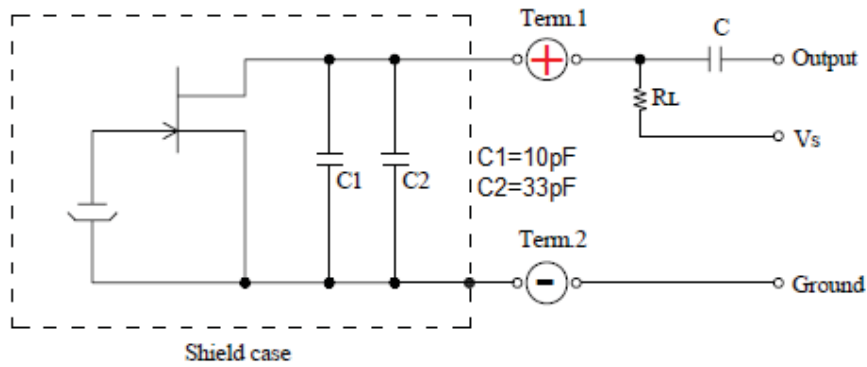


Seltech's ECM part numbering

Schematic diagram with C1033 filtering



Schematic diagram with RC filtering

